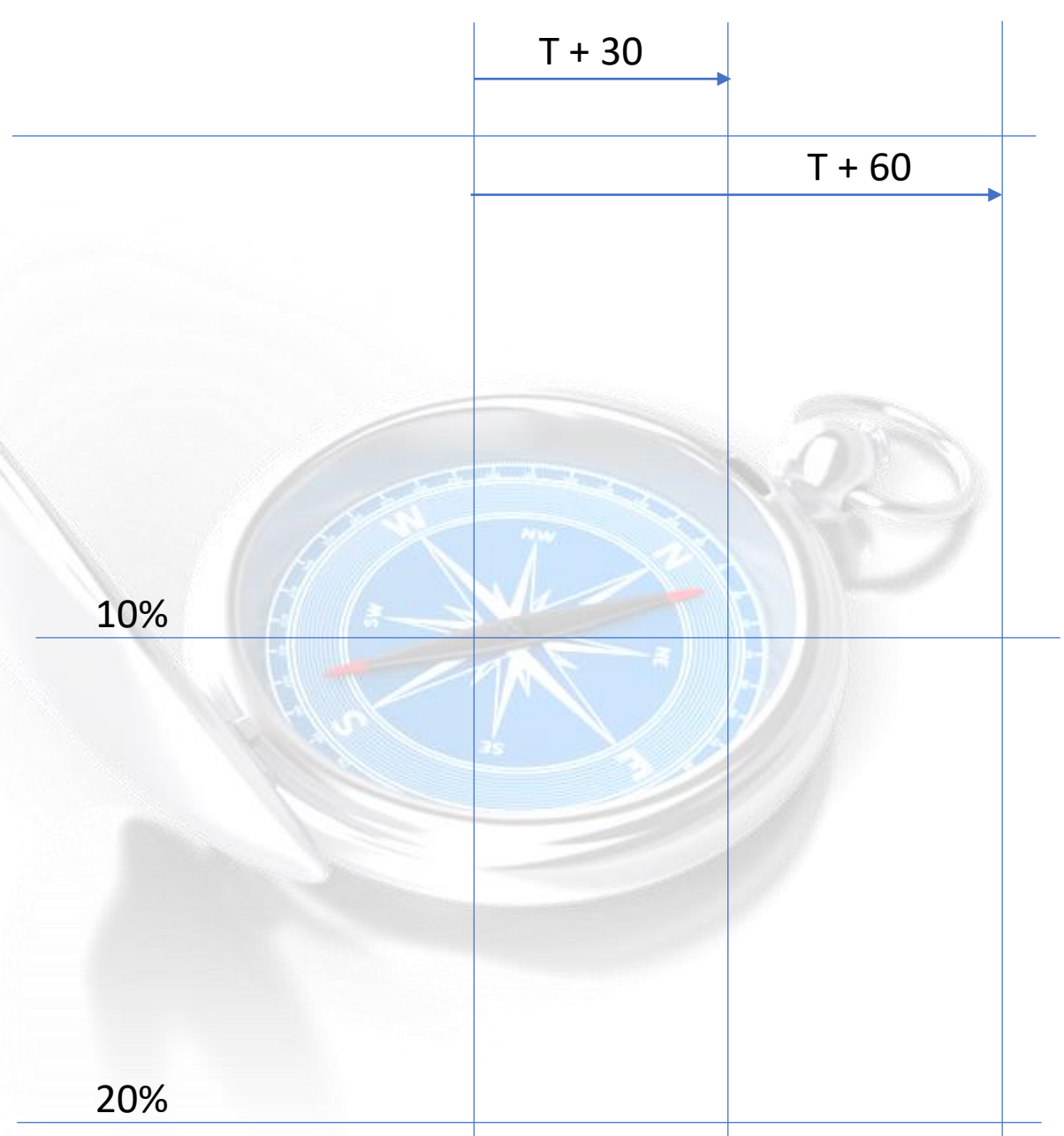


## Reflections of Past Market Corrections

Observing the magnitude and duration of the last decade of market corrections





# 2016 Market Correction





T + 30

T + 60

10%

20%

**BigPictureTrading**  
macro . technicals . options

# 2015 Market Correction

**BigPictureTrading**  
macro . technicals . options

Mar 17 Apr 16 May Jun 16 Jul 17 Aug Sep Oct 16 N

2120.00  
2093.25  
2080.00  
2040.00  
2000.00  
1960.00  
1920.00  
1880.00  
1840.00  
1800.00  
1760.00  
1720.00  
1680.00



**BigPictureTrading**  
macro . technicals . options

# 2011 Market Correction



# 2010 Market Correction



BigPictureTrading  
macro . technicals . options



BigPictureTrading  
macro . technicals . options



# 2007 Market Correction

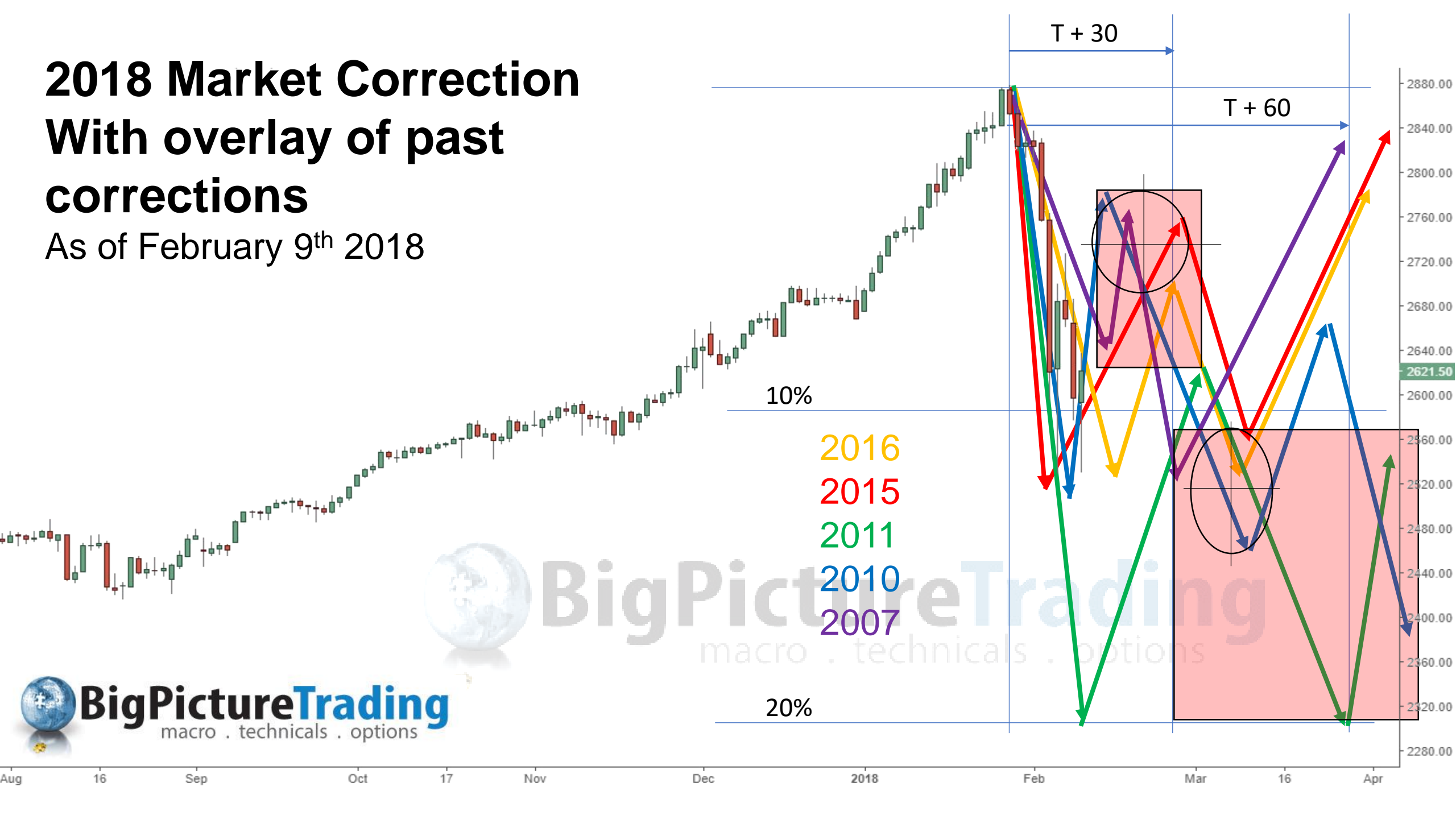


BigPictureTrading  
macro . technicals . options



# 2018 Market Correction With overlay of past corrections

As of February 9<sup>th</sup> 2018



10%

20%

T + 30

T + 60

- 2016
- 2015
- 2011
- 2010
- 2007

# 2018 Market Correction Template

UPDATED TO February 15<sup>th</sup> 2018 prices

Note: This is not a forecast but a road map to how the past market corrections have played out in duration and magnitude.







This was an excerpt from our recent webinar:  
how to profit from a market crash

**View the entire presentation at:**

**[www.bigpicturetrading.com](http://www.bigpicturetrading.com)**

