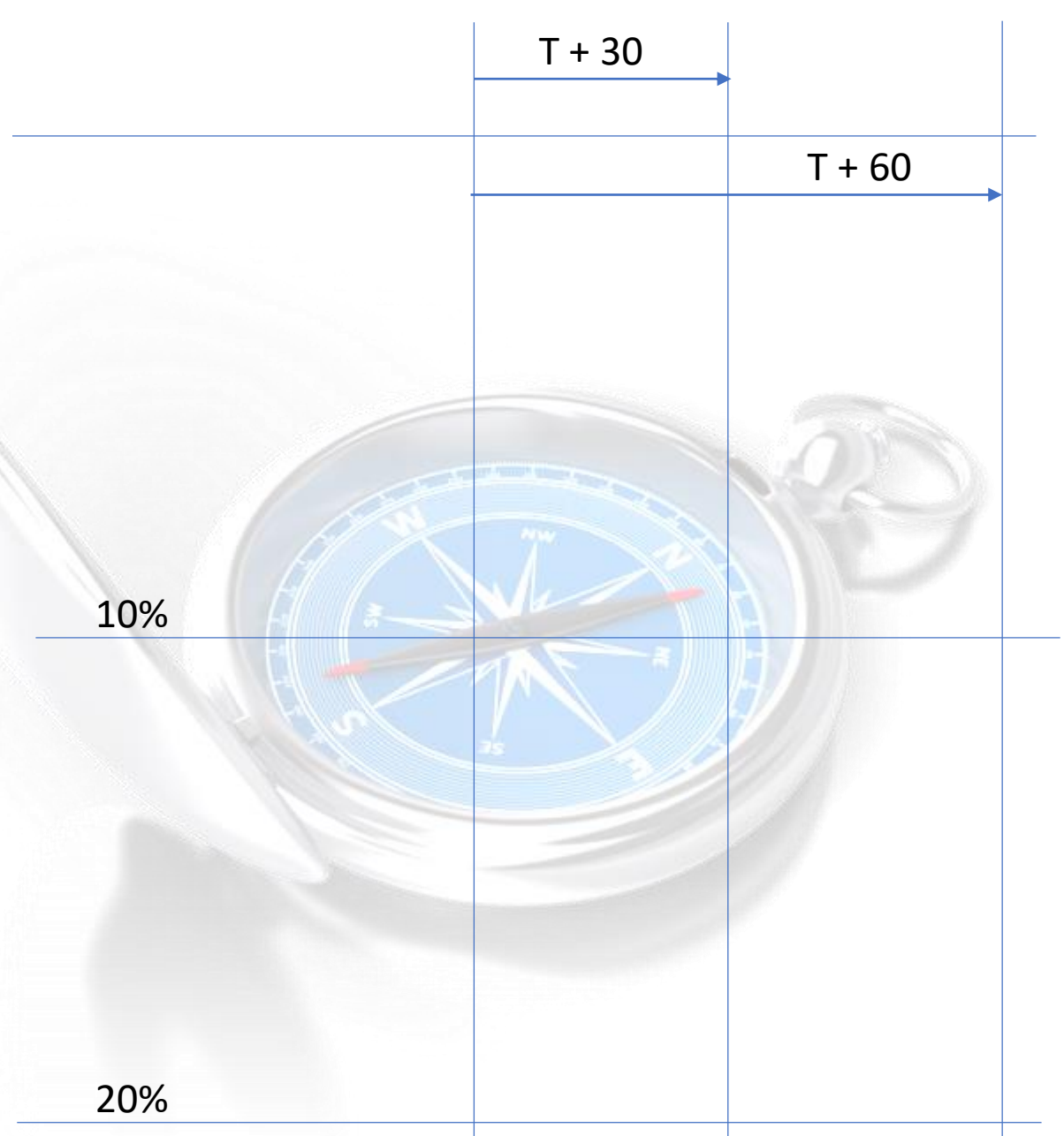


Reflections of Past Market Corrections And 1987 crash template

Observing the magnitude
and duration of the last
decade of market corrections

**Update to the original
February 9th chart book**



2018 Market Correction With overlay of past corrections

As of February 9th 2018

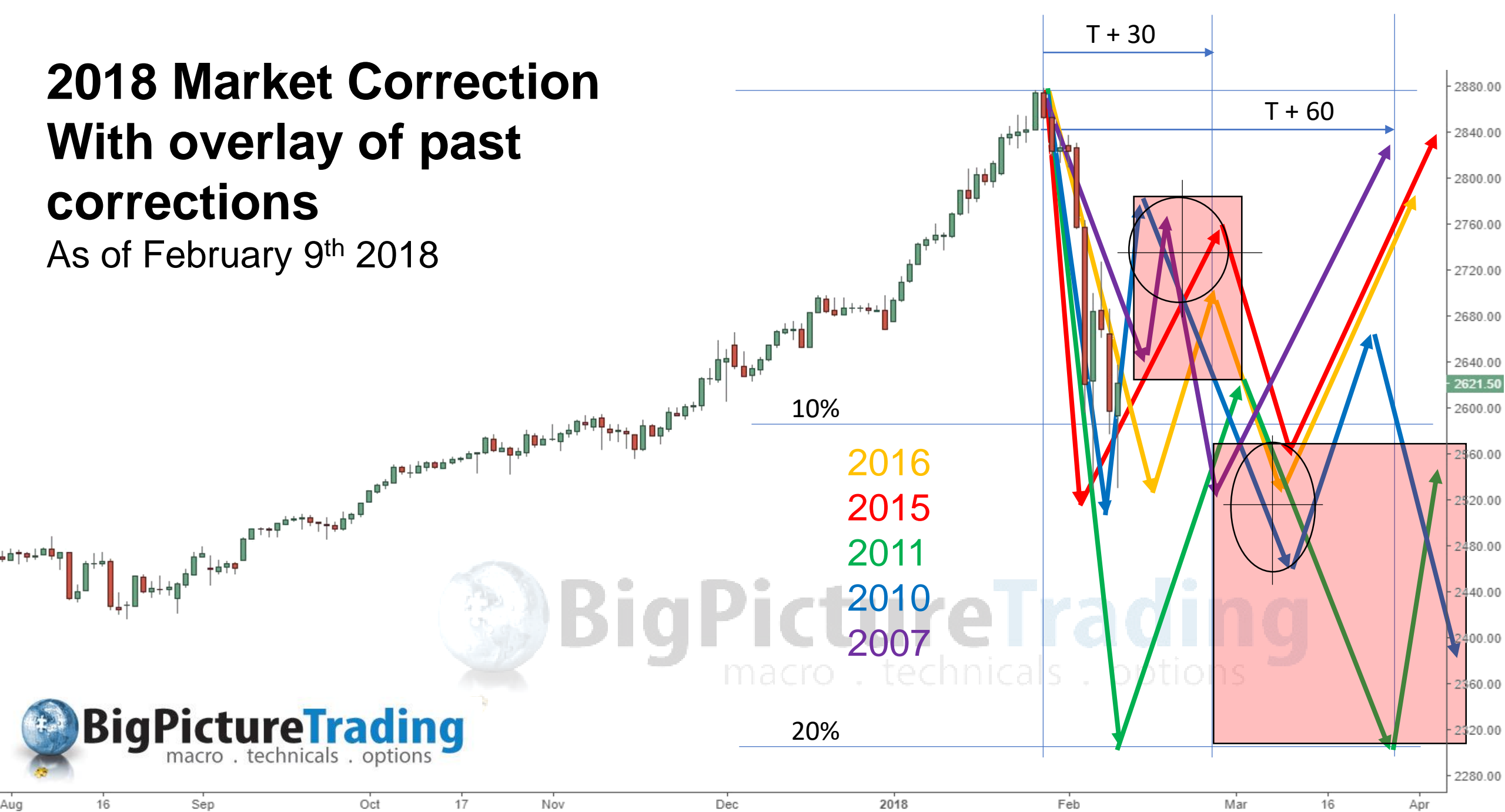


BigPictureTrading
macro . technicals . options



2018 Market Correction With overlay of past corrections

As of February 9th 2018



BigPictureTrading
macro . technicals . options

2018 Market Correction Template

UPDATED TO February 15th 2018 prices

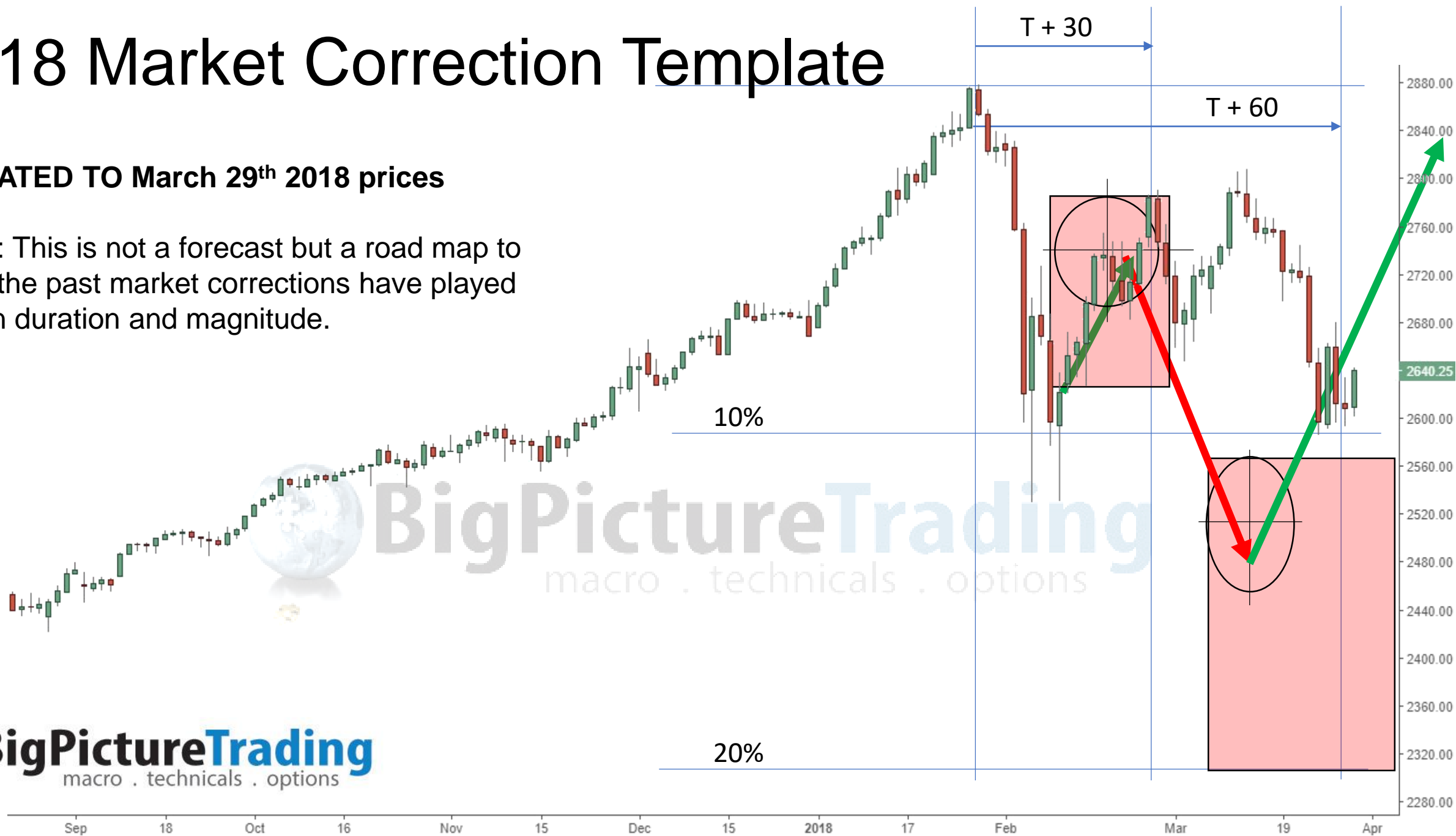
Note: This is not a forecast but a road map to how the past market corrections have played out in duration and magnitude.



2018 Market Correction Template

UPDATED TO March 29th 2018 prices

Note: This is not a forecast but a road map to how the past market corrections have played out in duration and magnitude.



The "what if" scenario 1987

Dow Jones Industrial Average



BigPictureTrading
macro . technicals . options

BigPictureTrading
macro . technicals . options

The “what if” scenario With overlay of 1987

As of March 29th 2018



BigPictureTrading
macro . technicals . options

This was an excerpt from our recent webinar:
how to profit from a market crash

**View the entire presentation at:
www.bigpicturetrading.com**

