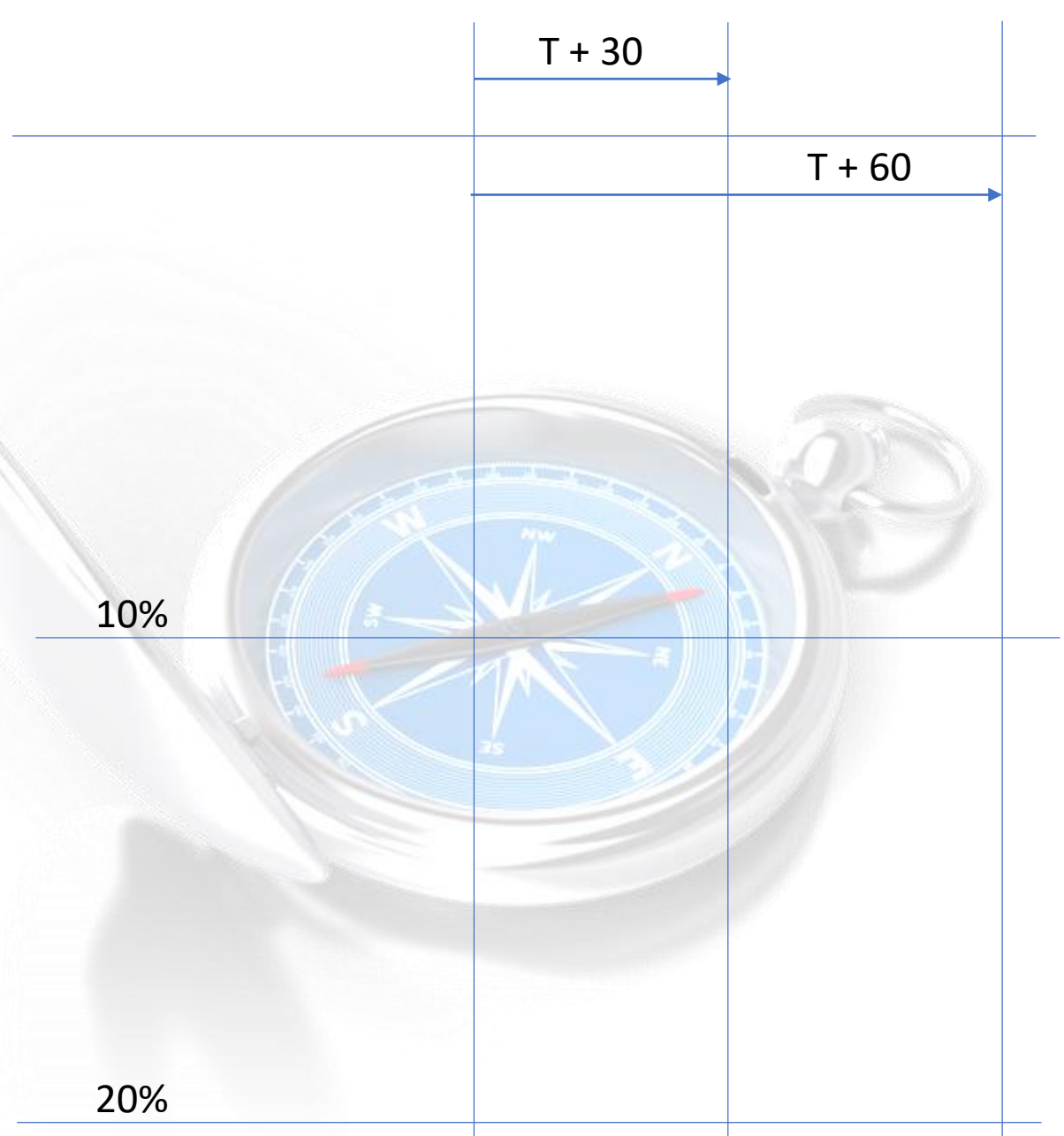


Reflections of Past Market Corrections

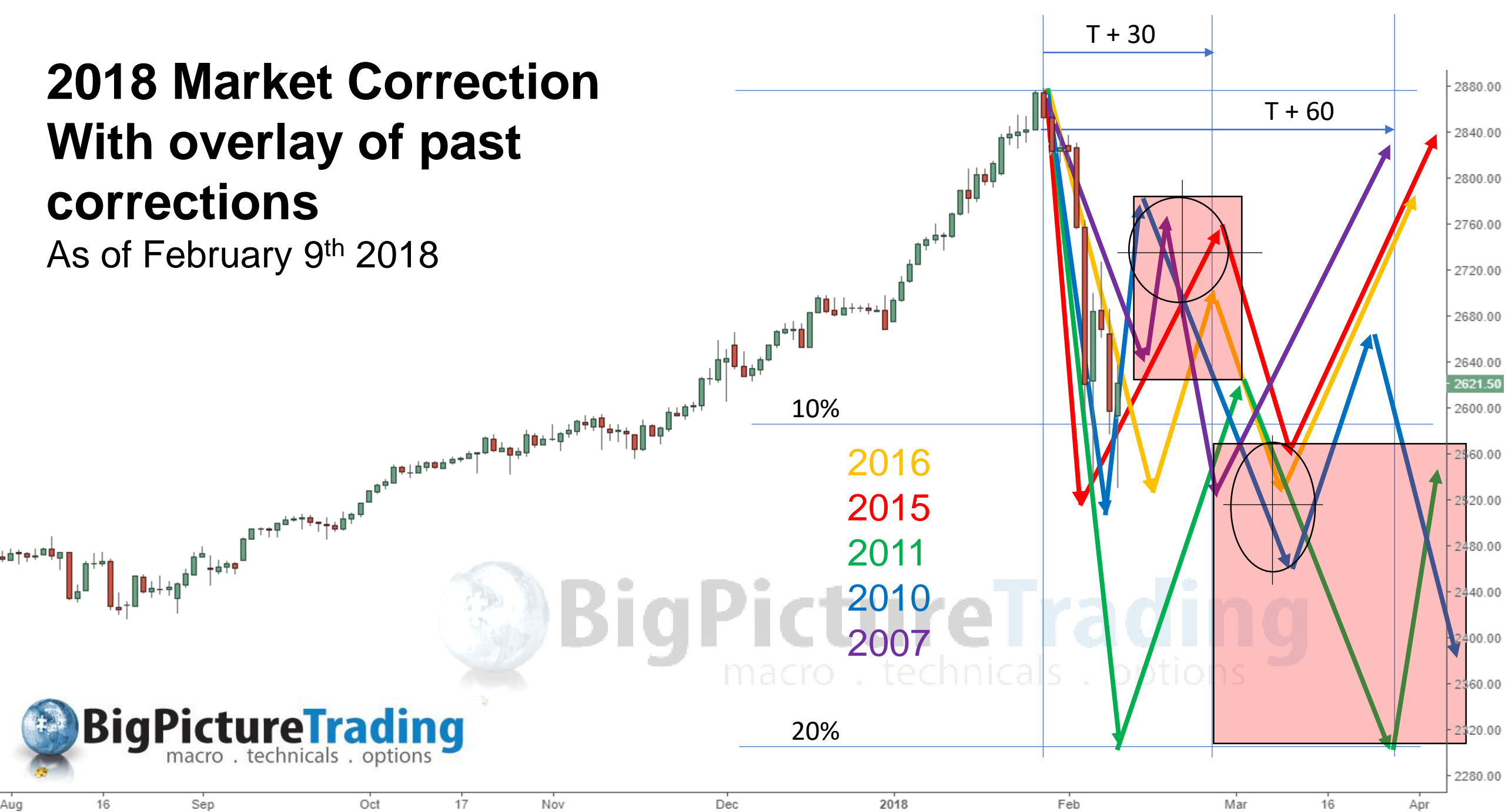
Observing the magnitude and duration of the last decade of market corrections

Update to the original February 9th chart book



2018 Market Correction With overlay of past corrections

As of February 9th 2018



10%

20%

T + 30

T + 60

- 2016
- 2015
- 2011
- 2010
- 2007



BigPictureTrading
macro . technicals . options

2018 Market Correction Template

UPDATED TO April 26th 2018 prices

Note: This is not a forecast but a road map to how the past market corrections have played out in duration and magnitude.



BigPictureTrading
macro . technicals . options



S&P500 ES 4hour intraday chart



Dollar Index DXY



BigPictureTrading
macro . technicals . options

This was an excerpt from our recent webinar:
how to profit from a market crash

**View the entire presentation at:
www.bigpicturetrading.com**

